

SIEMENS

SOMATOM SENSATION 64 TYPICAL ROOM PLAN

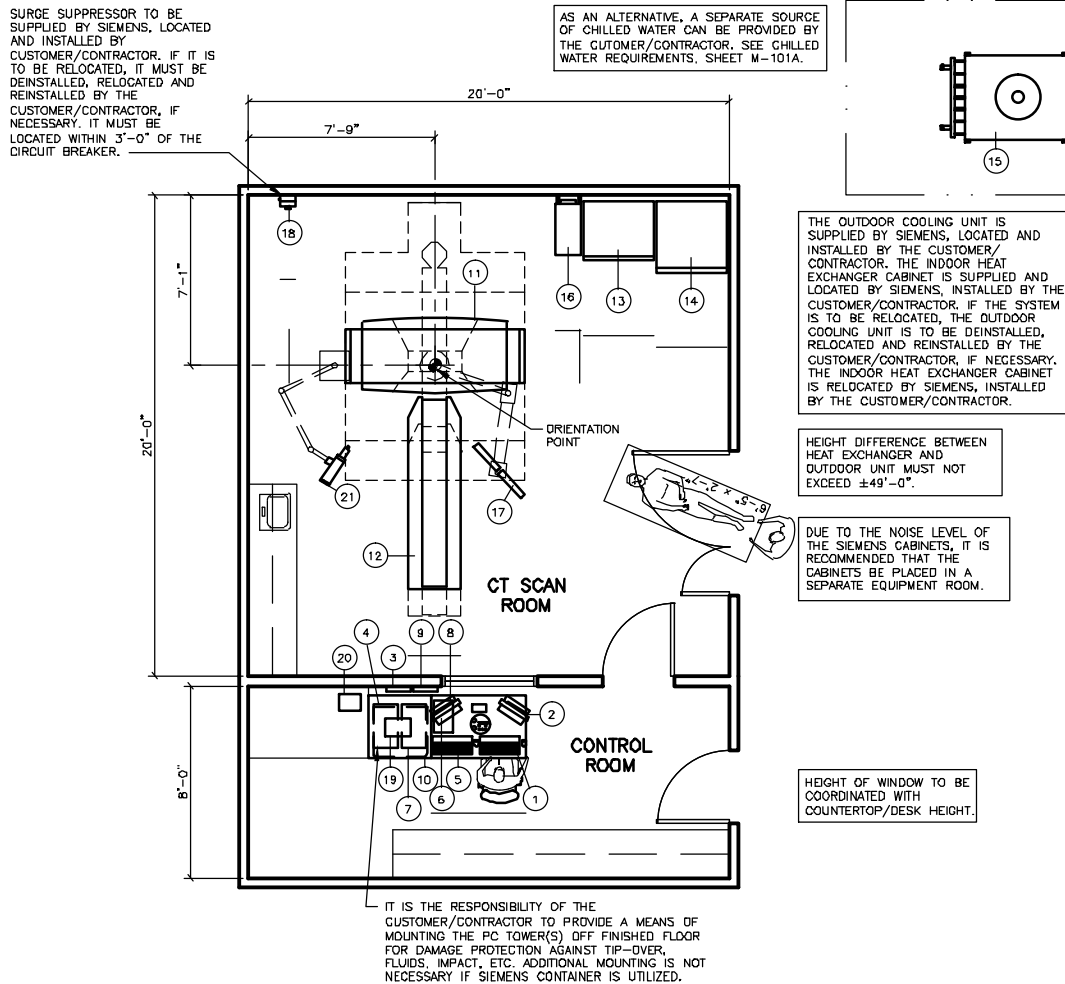
CT



The intended use for this Cut Sheet is to communicate the spatial requirements as well as the basic architectural, electrical, structural, and mechanical requirements for this piece of imaging equipment. The information provided in this document is for reference only, during the pre-planning stage, and therefore does not contain any site specific detailed requirements. This information is subject to change without notice. Federal, state and/or local requirements may impact the final placement of the components. It is the customer's responsibility to ensure that the final layout and placement of the equipment complies with all applicable requirements.

SOMATOM SENSATION 64 TYPICAL ROOM PLAN

CT



TYPICAL PLAN

SCALE: 1/8" = 1'-0"

SOMATOM SENSATION 64 SPECIFICATIONS

CT

EQUIPMENT LEGEND								
NO	DESCRIPTION	SMS SYM	WEIGHT (LBS)	BTU/HR TO AIR	DIMENSIONS (INCHES)			REMARKS
					W	D	H	
①	CONTROL CONSOLE W/KEYBOARD AND CONTROL BOX	Ⓝ	75	---	47 1/4	31 1/2	28 3/8	
②	19" FLAT SCREEN CONTROL MONITOR	Ⓢ	20	256	16 9/16	8 1/4	16 1/16	ON CONSOLE/COUNTER
③	SWITCH BOX	ⓈB	3	---	12	12	3	WALL MOUNTED
④	NAVIGATOR IMAGE CONSTRUCTION SYSTEM	ⓈCS	-	1,706	---	---	---	OFF FLOOR/IN CONTAINER
⑤	IMAGE EVALUATION KEYBOARD (OPTION)	Ⓢ	-	---	---	---	---	ON CUSTOMER'S COUNTER
⑥	19" FLAT SCREEN EVALUATION MONITOR (OPTION)	Ⓢ	20	256	16 9/16	8 1/4	16 1/16	ON CONSOLE/COUNTER
⑦	WIZARD IMAGE EVALUATION SYSTEM (OPTION)	ⓈES	220	1,706	---	---	---	OFF FLOOR/IN CONTAINER
⑧	UPS FOR IES (OPTION)	ⓈUP	36	171	9 3/16	16 7/16	5 13/16	
⑨	ETHERNET SWITCH (OPTION)	ⓈES	3	---	9 1/8	1 5/8	5 5/8	WALL MOUNTED
⑩	CONTAINER & CONTAINER TABLE FOR ICS/IES (OPTION)	ⓈIS	55	---	31 1/2	31 1/2	28 3/8	HOUSING FOR ICS/IES
⑪	SOMATOM SENSATION GANTRY	ⓈB	4,410	4,709*	87	35	78	*ADDITIONAL HEAT DISSIPATED TO WATER
⑫	PATIENT TABLE	ⓈT	1,103	512	26 1/2	96	22	
⑬	POWER DISTRIBUTION CABINET	ⓈPD	1,213	4,095	35 1/2	29 1/2	71 1/2	
⑭	HEAT EXCHANGER CABINET (WATER/AIR SPLIT)	ⓈS	838	2,559	35 1/2	35 1/2	70 7/8"	
⑮	OUTDOOR UNIT (WATER/AIR SPLIT)	ⓈSZ	331	88,716	66	46	37 3/8	
⑯	IMAGE RECONSTRUCTION SYSTEM - IRSMX2S	ⓈRS	126	3,412	12 5/8	29 15/16	20 15/16	
⑰	CARE VISION DUAL MONITOR (OPTION)	ⓈFI	157	512	---	---	---	CEILING MOUNTED
⑱	EATON SURGE PROTECTIVE DEVICE PANEL (DEM-OPTION)	ⓈSP	13.5	---	7 1/2	6 11/16	12	WALL MOUNTED
⑲	MEDRAD DISPLAY CONTROL UNIT (OEM-OPTION)	ⓈINT	8	---	12 1/2	9	13 1/2	HEIGHT WITH SCREEN UP
⑳	MEDRAD BASE UNIT (DEM-OPTION)	ⓈINZ	14	---	11	8 3/4	11 1/2	UNDER COUNTER ON SHELF
㉑	CEILING MOUNTED MEDRAD INJECTOR (OEM-OPTION)	ⓈINZ	106	---	---	---	---	SEE MFG SPECIFICATIONS

FINISHED ROOM HEIGHT	
FOR CT GANTRY ONLY	MINIMUM 7'-6 1/2"
CAREVISION MONITOR/CEILING MOUNT	MIN. 9'-2 5/8" MAX. 11'-2 5/8"

REMOTE SYSTEM DIAGNOSTICS
<p>SIEMENS REMOTE SERVICES (SRS) REQUIRES A CONNECTION BETWEEN THE SRS REMOTE SERVER AND SIEMENS SYSTEMS VIA REMOTE LOCAL AREA NETWORK ACCESS, TO ENSURE THE UPTIME OF YOUR SYSTEM.</p> <p>THIS SERVICE REQUIRES ONE OF THE FOLLOWING CONNECTION METHODS:</p> <ol style="list-style-type: none"> (PREFERRED) VPN - WHERE THE CUSTOMER HAS AVAILABLE A VPN CAPABLE FIREWALL OR OTHER VPN APPLIANCE. (OPTIONAL) *SRS ROUTER* - CONNECTED TO ANALOG PHONE LINE VIA *ANALOG MODEM*, ETHERNET CONNECTION TO CUSTOMER'S LAN, AND A POWER OUTLET. <p>NOTE: = *SUPPLIED BY SIEMENS*</p>

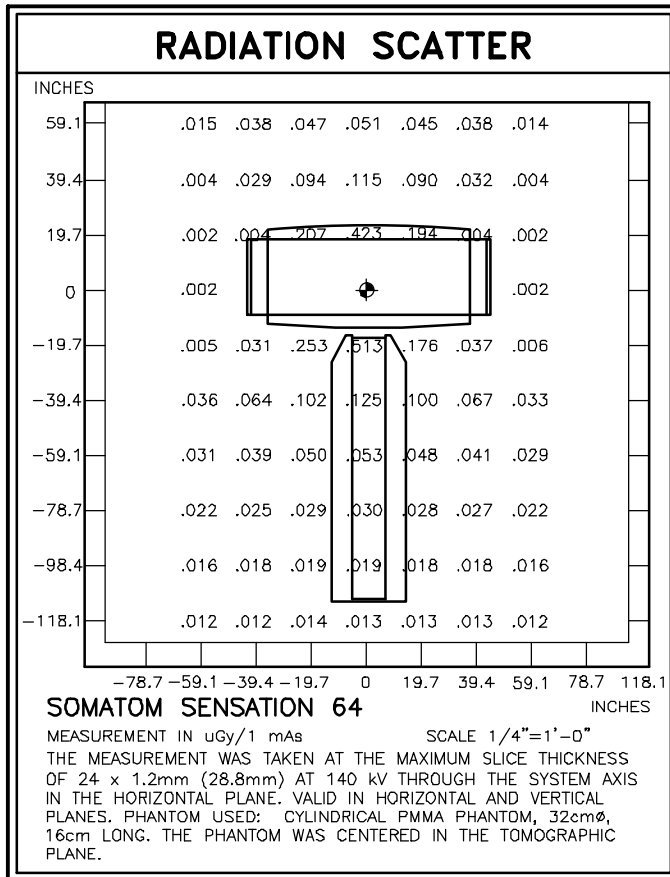
SOMATOM SENSATION 64 SPECIFICATIONS

CT

POWER REQUIREMENTS				
SYSTEM	LINE VOLTAGE (VOLTS)	POWER CONSUMPTION (KVA)	INCOMING LINE IMPEDANCE (mΩ)	AUTOMATIC CIRCUIT BREAKER (AMPS)
SOMATOM SENSATION 40 & 64	3φ 480±10%	SEE BELOW	≤ 180	125
POWER FACTOR 0.85 OR HIGHER REQUIRED.				
POWER CONSUMPTION (WITH HEAT EXCHANGER WATER/WATER)				
OPERATING FOR 12 SEC. – 104 kVA				
OPERATING FOR 100 SEC. – 60 kVA				
GANTRY OFF (EVA ON) – 2 kVA				
GANTRY ON (STAND-BY) – 8 kVA				
POWER CONSUMPTION (WITH HEAT EXCHANGER WATER/AIR OR WATER/AIR SPLIT)				
OPERATING FOR 12 SEC. – 111 kVA				
OPERATING FOR 100 SEC. – 63 kVA				
GANTRY OFF (EVA ON) – 2 kVA				
GANTRY ON (STAND-BY) – 10 kVA				
ALL STANDARD COMPONENTS AND ADD-ONS ARE SUPPLIED VIA THE POWER DISTRIBUTION SYSTEM.				
DO NOT CONNECT NON-SIEMENS COMPONENTS SUCH AS LASER CAMERAS OR FILM PROCESSORS TO THE SIEMENS POWER DISTRIBUTION SYSTEM (PDS).				
THE EXAMINATION ROOM SHOULD BE EQUIPPED WITH AT LEAST ONE EMERGENCY POWER OFF (PANIC) BUTTON. TO ENSURE SATISFACTORY SYSTEM OPERATION THE PDS MUST HAVE A DEDICATED PROTECTIVE GROUND CONDUCTOR.				

WATER/AIR SPLIT	GANTRY COOLING
THE GANTRY IS COOLED WITH CHILLED WATER IN A CLOSED LOOP CONNECTION FROM THE HEAT EXCHANGER. THE HEAT EXCHANGER CABINET IS COOLED WITH CHILLED WATER IN A CLOSED LOOP CONNECTION FROM AN OUTDOOR COOLING UNIT. THE AMBIENT AIR TEMPERATURE RANGE REQUIRED FOR THE OUTDOOR COOLING UNIT IS -13° TO 122° (-40° TO 122° WITH FLOW HEATER OPTION). BTU/HR TO AIR (EXHAUST) IS 88,716.	

HOSPITAL WATER	CHILLED WATER
THE GANTRY IS COOLED WITH CHILLED WATER IN A CLOSED LOOP CONNECTION FROM THE HEAT EXCHANGER. AN ON-SITE CONNECTION TO THE CHILLED WATER SUPPLY MUST BE AVAILABLE TO SUPPLY THE HEAT EXCHANGER. THE REQUIRED WATER TEMPERATURE IS 36 TO 60°F. THE OPERATING PRESSURE MUST NOT EXCEED 145 PSI. THE MAXIMUM FLOW RATE DEPENDS ON THE WATER TEMPERATURE. PRESSURE DROP AS RELATES TO WATER CIRCULATION. HEAT DISSIPATION INTO THE WATER IS 51,182 BTU/HR.	



CASEWORK & ACCESSORY NOTES
1) ALL CASEWORK IS EITHER EXISTING OR IS TO BE DESIGNED, DETAILED, FURNISHED AND INSTALLED BY THE CUSTOMER AND/OR CONTRACTOR. FOLLOW DESIGN RECOMMENDATIONS INCLUDED HERewith, AS THEY ARE ESSENTIAL FOR THE SUCCESSFUL INSTALLATION & OPERATION OF THE SIEMENS EQUIPMENT.
2) ALL FURNITURE (CHAIRS, ETC.) FOR THE CONTROL ROOM ARE TO BE PROVIDED BY THE CUSTOMER.

SOMATOM SENSATION 64 SPECIFICATIONS

CT

DELIVERY

TRANSPORTING INFORMATION:

TOTAL GANTRY TRANSPORT WEIGHT: 4,668 LBS.

GANTRY WITHOUT TRANSPORT DEVICE: 4,410 LBS.
TRANSPORT DEVICE: 258 LBS.

GANTRY TRANSPORTING WIDTH: 4'-8 11/16" MAXIMUM.
3'-1" MINIMUM.

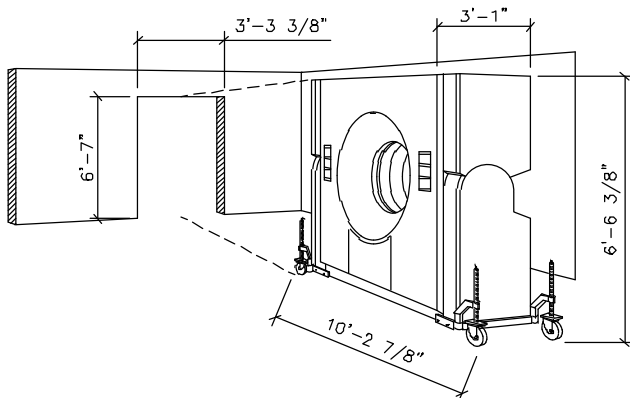
GANTRY TRANSPORTING LENGTH: 10'-2 7/8" MAXIMUM.
8'-3" MINIMUM.

NORMAL TRANSPORT REQUIREMENTS:

DURING THE MOVEMENT OF THE GANTRY THROUGH CORRIDORS THE TRANSPORT CASTERS ARE SWIVELED OUT FOR STABILITY, SEE MAXIMUM WIDTH AND MINIMUM LENGTH ABOVE FOR TRANSPORT CASTERS SWIVELED OUT.

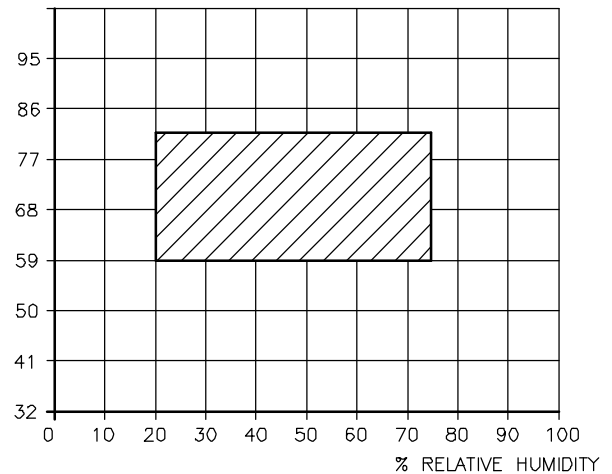
NARROW SPACE TRANSPORT REQUIREMENTS:

WHEN TRANSPORTING THE GANTRY THROUGH A NARROW SPACE OR DOORWAY THE TRANSPORT CASTERS ARE SWIVELED IN AS SHOWN IN THIS SKETCH.



ENVIRONMENTAL REQUIREMENTS

TEMPERATURE (°F)



TEMPERATURE, HUMIDITY, DUST, AIR CONTAMINATION:

REFER TO THE CLIMATOGRAM ABOVE FOR THE PERMITTED CLIMATE RANGE.

THE MAXIMUM TEMPERATURE GRADIENT IS 6 K/HR. THE OPTIMAL ENVIRONMENT FOR THE OPERATOR AND THE SYSTEM IS 72°F (22°C) WITH A RELATIVE HUMIDITY OF 40-60%.

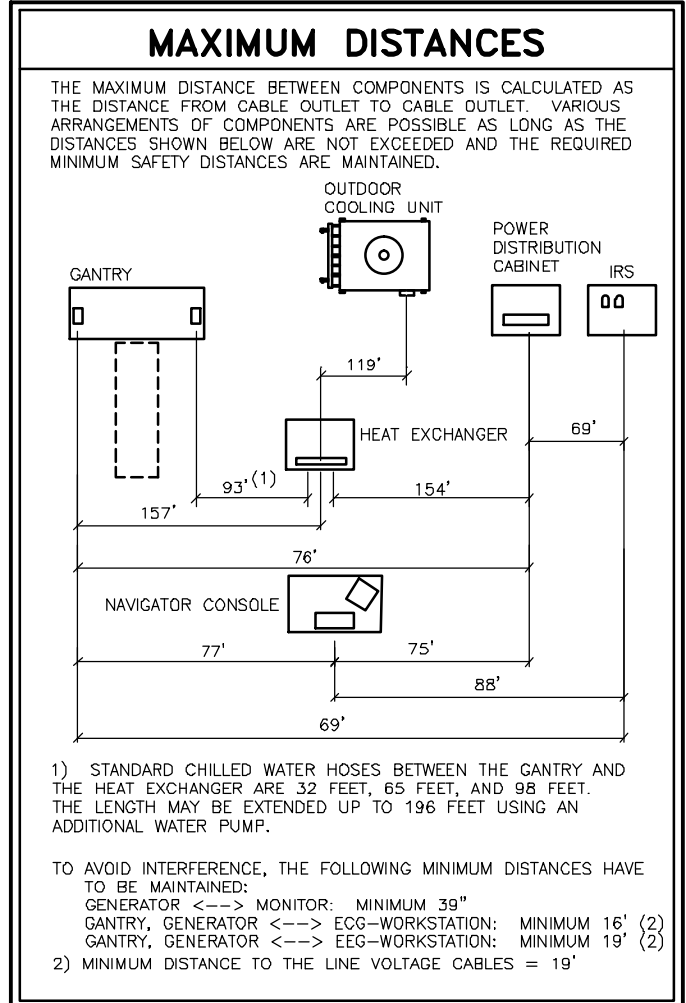
EXTERIOR AIR VENTS SHOULD BE EQUIPPED WITH A FILTRATION SYSTEM OF THE FILTER CLASS MERV 8 TO FILTER DUST PARTICLES >10 µm.

THE ROOM AIR SHOULD BE PROTECTED AGAINST CONTAMINATION BY HYDROGEN SULPHIDE, EVEN IN SMALL AMOUNTS. IF A DANGER OF SUCH CONTAMINATION EXISTS, CORRECTIVE ACTIONS HAVE TO BE TAKEN. E.G., EXTRACTOR FANS, SIPHON, MODIFICATION OF VENTILATION INTAKE, ETC.

SOMATOM SENSATION 64 SPECIFICATIONS

CT

NOISE LEVEL	
SYSTEM COMPONENT	DECIBEL LEVEL (AT 3'-3" DISTANCE)
GANTRY	<68
PATIENT TABLE	<60
PDC CABINET	≤60
IRS CABINET	<55
HEAT EXCHANGER - WATER/WATER	<60
HEAT EXCHANGER - WATER/AIR	<65
HEAT EXCHANGER - WATER/AIR SPLIT	<65



FOR MORE INFORMATION

FOR MORE DETAILED PLANNING REQUIREMENTS FOR THIS SYSTEM, SEE THE TYPICAL FINAL DRAWING SET NUMBER: 04099